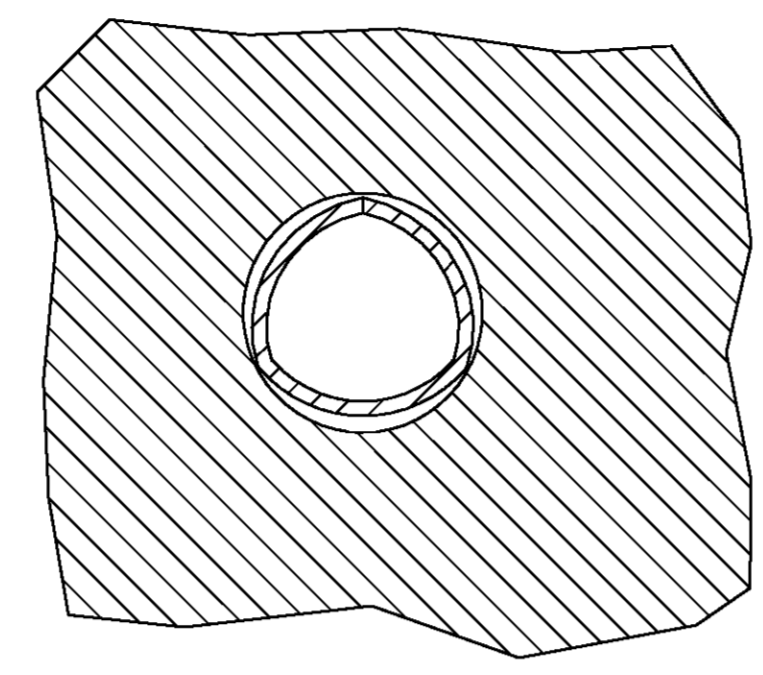
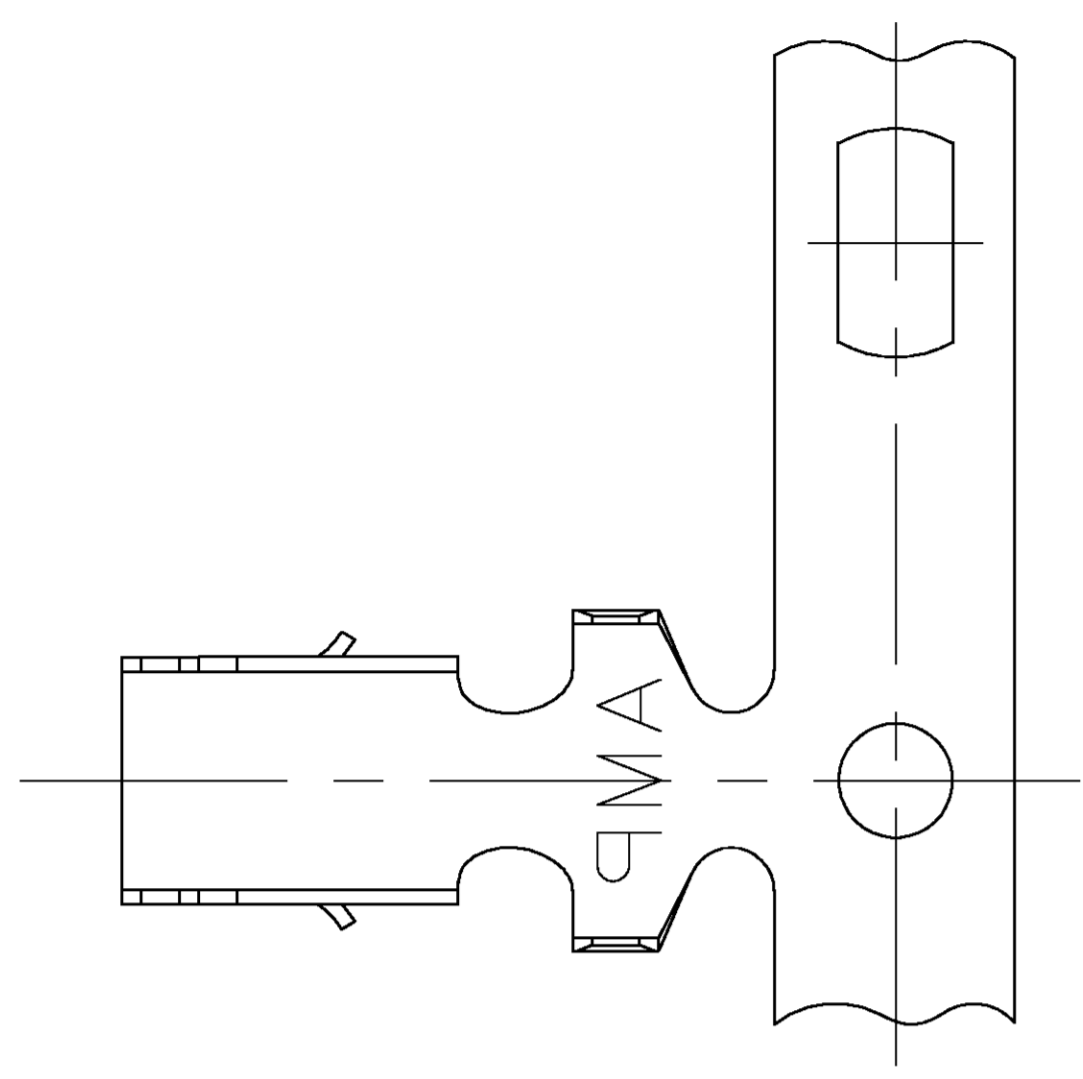
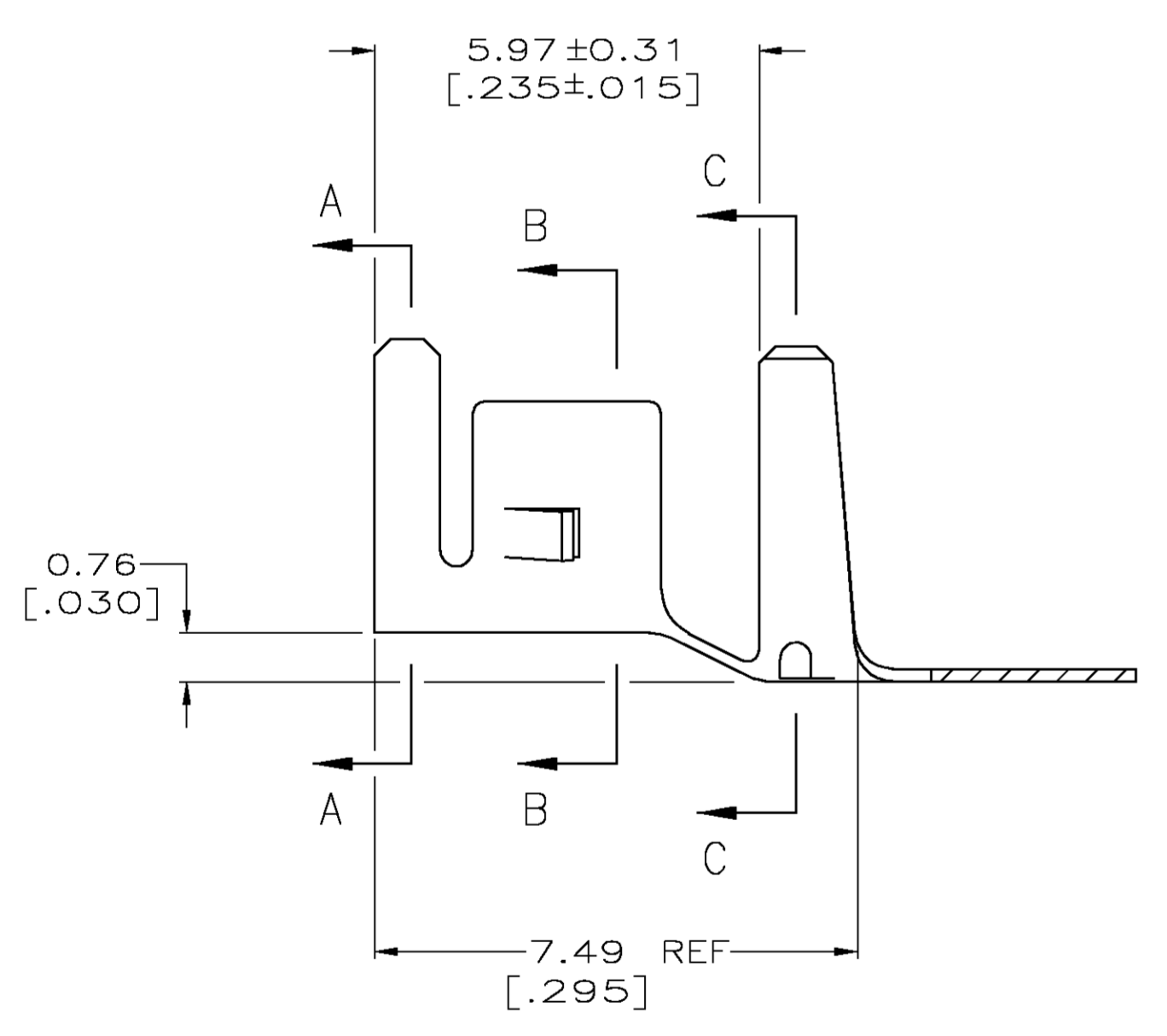


LOC		DIST		REVISIONS				
CM	00	REV	PER	ECN	DESCRIPTION	DATE	DWN	APVD
B					REV PER ECN OG3B-0383-03	21AUG03	SC	JE

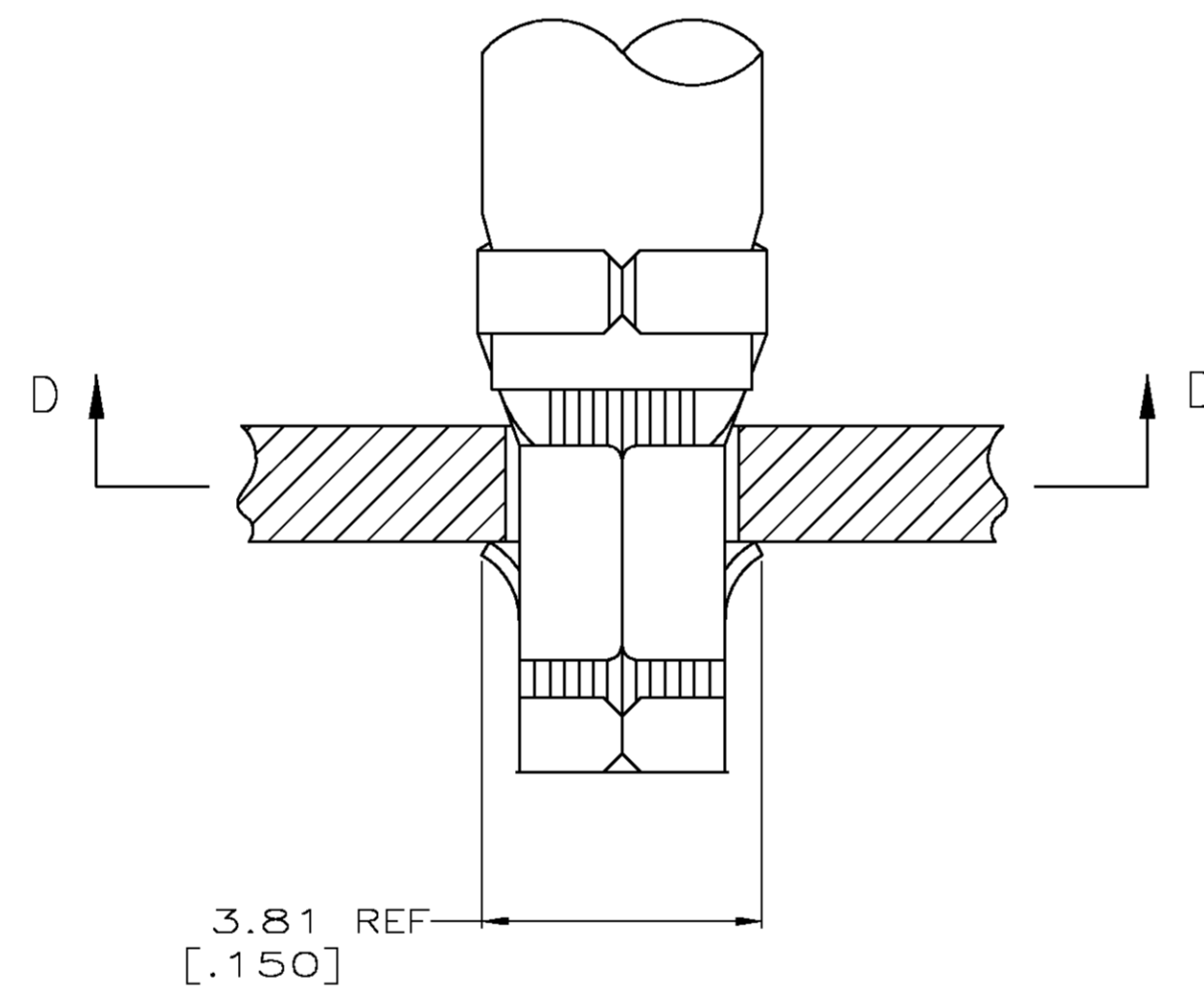


SECTION D-D

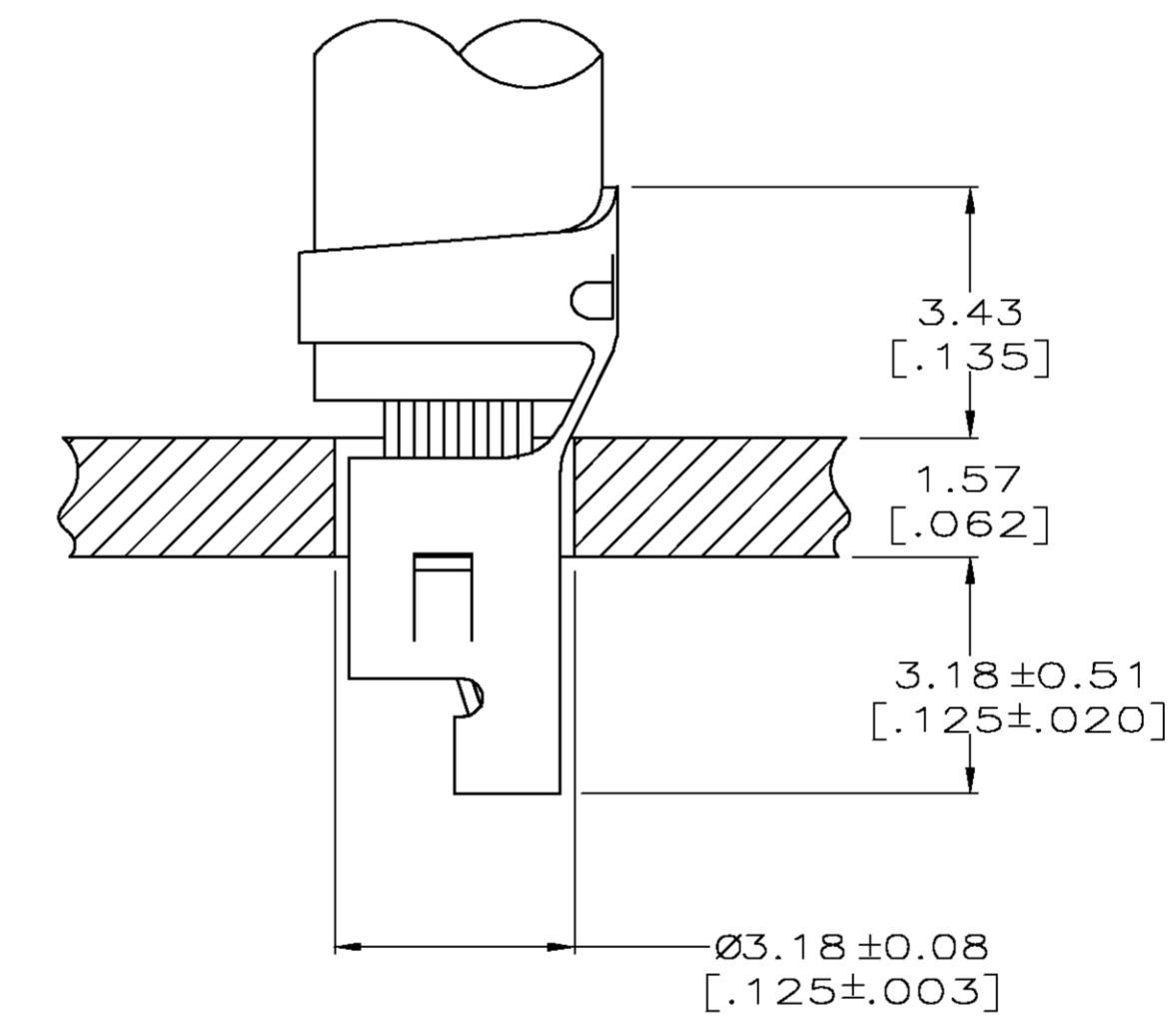
1. PARTS COMPLY WITH AMP SOLDERABILITY SPEC 109-11-5.
2. 0.00508 [.000200] MIN BRIGHT TIN-LEAD.
3. WIRE RANGE: 3 mm² (12 AWG).
4. INSULATION RANGE: 2.29 - 3.81 [.090 - .150] DIA.
5. DIMENSIONS IN BRACKETS ARE IN INCHES.
6. 0.00508 [.000200] MIN BRIGHT TIN.



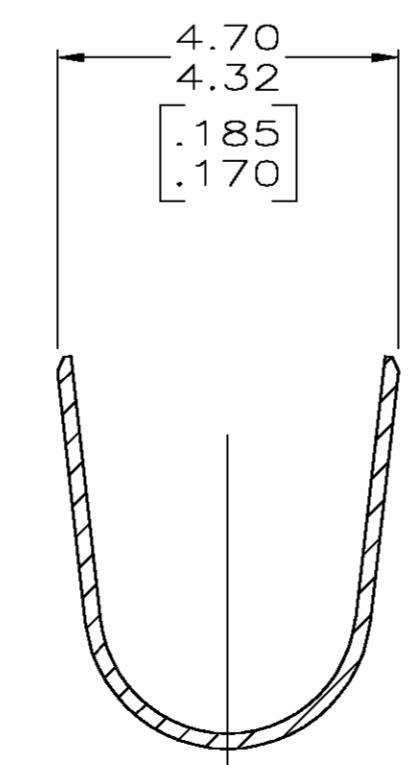
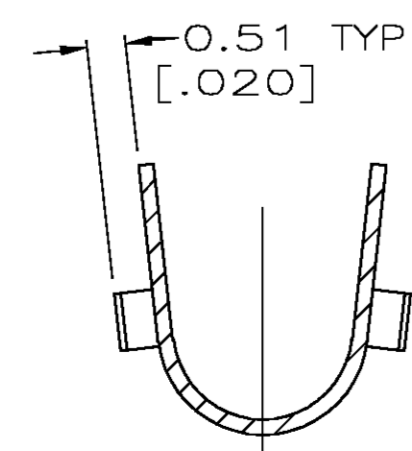
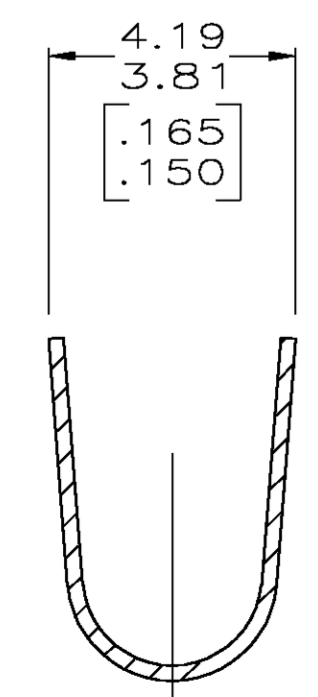
SECTION A-A



SECTION B-B



SECTION C-C



METRIC

THIS DRAWING IS A CONTROLLED DOCUMENT.		DWN S. CARPENTER	21AUG2003		Tyco Electronics Corporation Harrisburg, PA 17105	
DIMENSIONS: INCHES		DWG J. ELLIS	21AUG2003		APPLICATION SPEC	
TOLERANCES UNLESS OTHERWISE SPECIFIED:		APVD J. ELLIS		PRODUCT SPEC		
0 PLC ±		NAME		TERMINAL, AMP-IN		
1 PLC ±		SIZE		114-1016		
2 PLC ±		CAGE CODE		00779		
3 PLC ±		DRAWING NO		794013		
4 PLC ±		WEIGHT		A1		
ANGLES ±		CUSTOMER DRAWING		SCALE 10:1		
FINISH		RESTRICTED TO		SHEET 1 OF 1		
MATERIAL 0.198 [.0078] PH BRZ		REV		REV B		